



## ED1551M Series 7.

DC fan.

Size: 172 x 150 x 51mm

6 x 2 inches

Airflow: Max. 325 CFM / 9.2 m<sup>3</sup>/min

Metal Impeller / IP 55

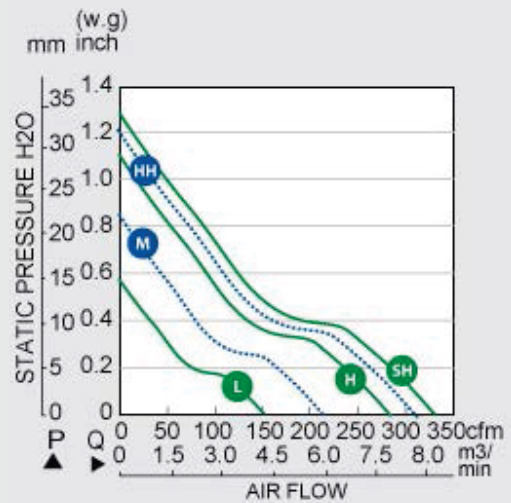
Model No.	Rated Voltage	Voltage Range	Input Power	Rated Current	Ref Speed	Max. Airflow		Max. Static Pressure		Noise Level	PQ Curves
	VDC	VDC	Watt	Amp	RPM	CFM	m <sup>3</sup> /min	Inch/H <sub>2</sub> O	mm/H <sub>2</sub> O	dB (A)	
ED1751-12SH**7	12	8~14	64.8	5.4	4300	320	9.1	1.1	27.94	64	SH
ED1751-12HH**7	12	8~14	50.4	4.2	4100	300	8.5	1.05	26.67	61	HH
ED1751-12H**7	12	8~14	23	1.9	3700	275	7.8	0.95	24.13	55	H
ED1751-12M**7	12	9~14	13.2	1.1	2800	210	5.9	0.82	20.83	46	M
ED1751-12L**7	12	9~15	5.5	0.45	2000	150	4.2	0.58	14.73	37	L
ED1751-24SH**7	24	15~27.6	63.6	2.65	4300	325	9.2	1.25	31.75	65	SH
ED1751-24HH**7	24	15~27.6	50.4	2.1	4200	310	8.8	1.2	30.48	63	HH
ED1751-24H**7	24	15~27.6	24	0.97	3850	295	8.4	1.1	27.94	58	H
ED1751-24M**7	24	17~28	13	0.52	2800	210	5.9	0.82	20.83	45	M
ED1751-24L**7	24	17~28	5	0.2	2000	150	4.2	0.56	14.73	37	L
ED1751-48SH**7	48	22~55	62.4	1.3	4350	325	9.2	1.25	31.75	65	SH
ED1751-48HH**7	48	22~55	49.4	1.03	4100	310	8.8	1.2	30.48	63	HH
ED1751-48H**7	48	22~55	23.5	0.48	3850	295	8.4	1.1	37.94	58	H
ED1751-48M**7	48	24~58	14.5	0.3	2800	210	5.9	0.82	20.83	45	M
ED1751-48L**7	48	24~60	5.8	0.12	2000	150	4.2	0.58	14.73	37	L

\*\* = "BL" for Ball bearing wire lead type, or "BT" for Ball bearing terminal type.

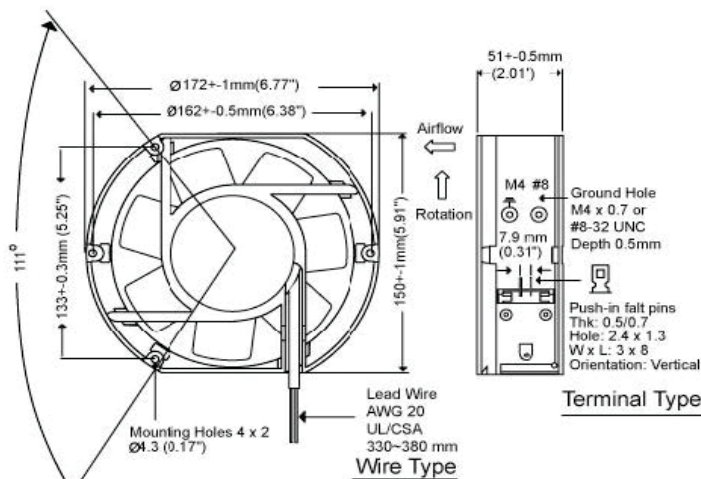
We Reserve the right to change data and improve electrical & mechanical design without notice, data tolerance +/- 10%

Motor Type:	Microprocessor brushless DC Motor, auto cutoff, auto restart
Burnout Protection:	Electronically protected, polarity protected
IP Protection:	IP55, 56 Optional request
<b>Mechanical</b>	
Frame:	Aluminum die cast, black color(AP)
Impeller:	7 blades, all metal
Bearing:	Two ball bearings
Rotation:	CW seen on rotor
Connection:	Wire lead or terminal flat pin connecting
Weight:	920g (2.02 Lbs)
<b>Electronical</b>	
Dielectric Strength:	500 VAC/min. Max leakage 500mA
Speed Control:	Optional: PWM, S/C NTC thermister, 0~10V control voltage S/V
Signal Output:	Optional: R/D alarm output, tachometer output F/G
<b>Environment</b>	
Operating Temp:	-20°C~+65°C
Storage Temp:	-25°C~+75°C (at 65%RH)
Life Expectancy:	L10 50K hours at 50°C

### ► Performance P-Q Curves.



### ► Outline Dimensions.



### Fan Accessories

